

DES1 Dissolved Oxygen Electrode System

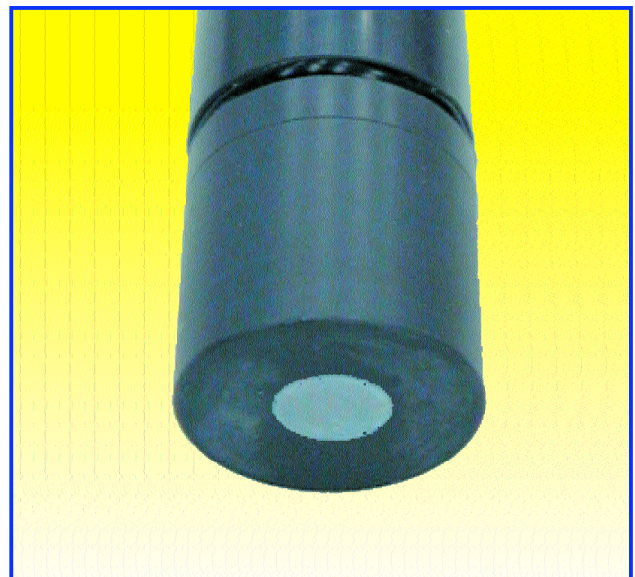


The DES1 DO2 Oxygen Electrode system is based on the Clark or Polarographic principal of measurement. Where a low voltage is applied to polarise the sensor and the current flowing through the loop is proportional to the oxygen level present. The DES1 Polarographic sensor is of simple construction easy to maintain and refurbish with new filling solution and membrane.

Standard sensor length is two metres supplied with a mounting flange for easy on site installation.

A self cleaning version of the DES1 Dissolved Oxygen sensor can be supplied with a spray system to clean the sensor. Depending upon the fouling to be removed the cleaning maybe either by water wash, detergent spray from a small chemical pump or compressed air blast.

The AWE Instruments Model OD7685 is able to control the cleaning cycle with freeze and hold for the last control and current outputs for the duration of the cleaning and a holding time for the sensor to recover.

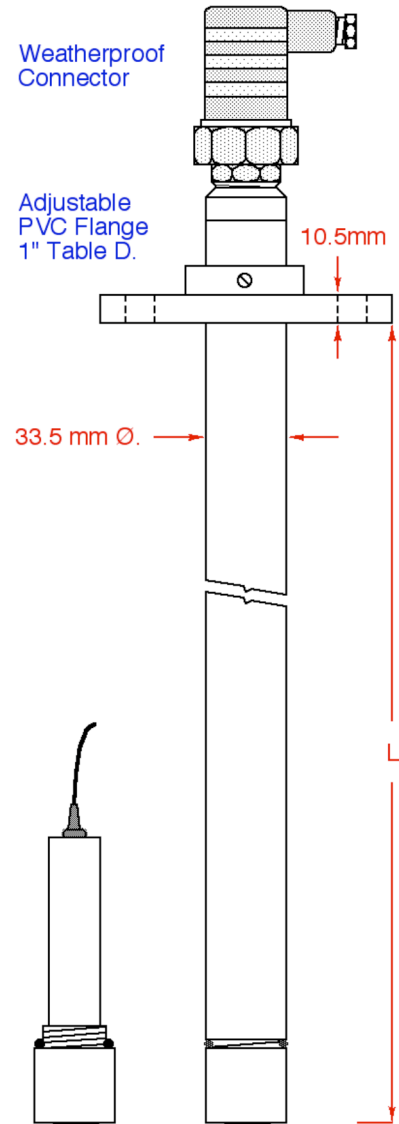


Specifications

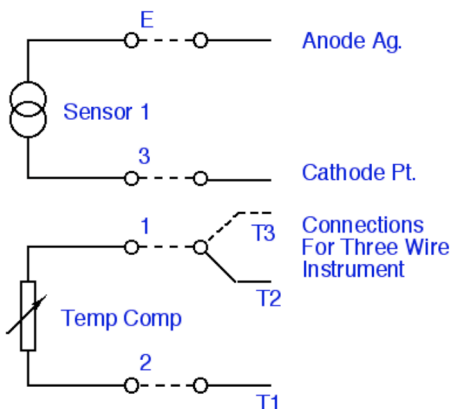
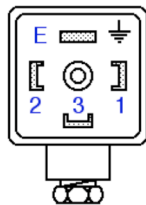
DES1

Dimensions

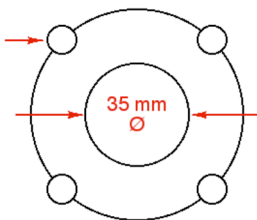
Sensor type	Clark type Polarographic
Materials	P.V.C. Viton & PTFE
Temp range	0 - 50°C
Temp comp.	Automatic via Pt100 sensor for OD7685 10K NTC sensor for OD3645
DO2 Range	0 - 200% Saturation or 0 - 20 ppm /mg/Litre
Length	2000 mm or special to order .
Diameter	Approx 33.5 mm Ø
Electrolyte	Liquid filled
Connector	Plug and Socket



Connections



4 Holes 15 mm Ø on an 82.5 PCD.



Mounting details in customers vessel to suit 1" PVC table D flange.

AWE

Automated Water & Effluent Ltd

AWE House Antom Court, Tollgate Drive, Beaconside, Stafford, ST16 3AF UK.

Tel: 01785 254597 Fax: 01785 257724

www.awe-ltd.co.uk email sales@awe-ltd.co.uk